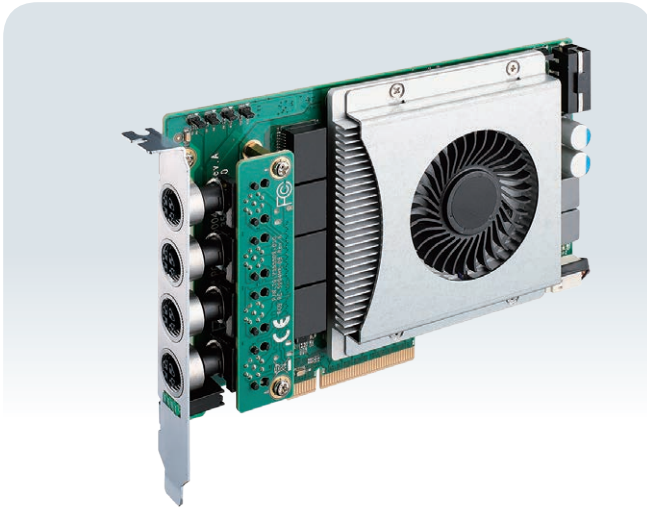


PE-7004MX (M12)

Intel® X550-AT2 4-port X-coded M12 10GigE IEEE 802.3at PoE+ Expansion Card, PCI Express x8, -25°C to 60°C



Features

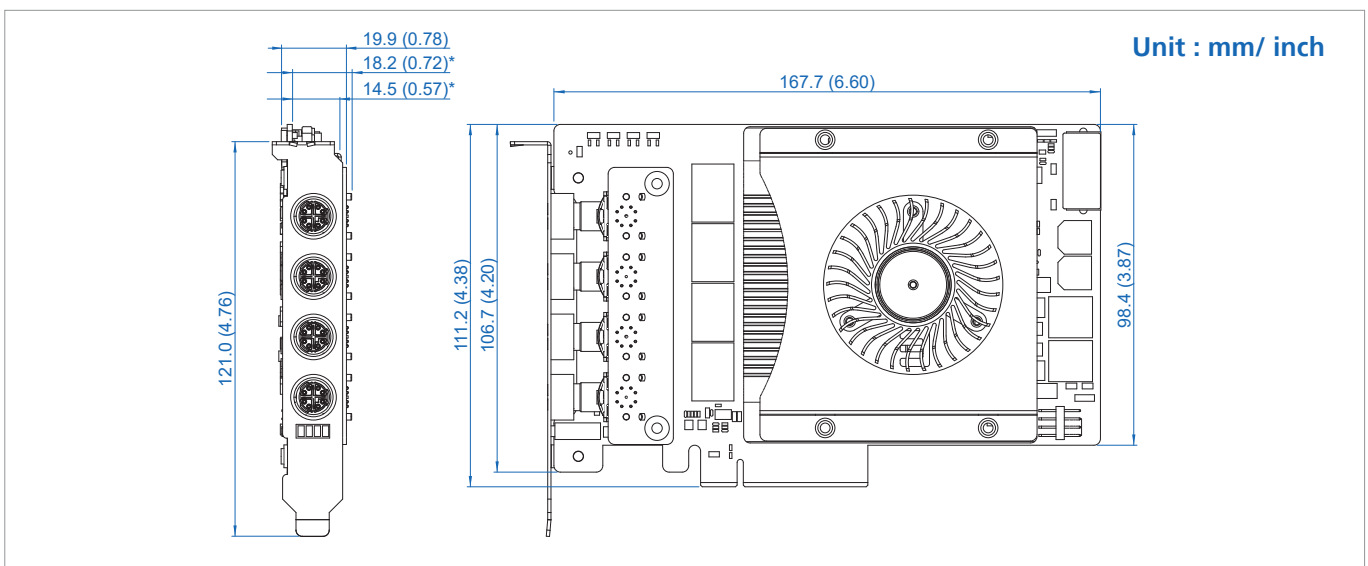
- Intel® X550-AT2 10GBASE-T Ethernet Controllers support 4-port independent 10GigE LAN, up to 10Gbps data rate
- PCI Express x8 interface, PCIe 3.0 supports up to 8.0 GT/s
- IEEE 802.3at Power over Ethernet (PoE+), rugged X-coded M12 connectors, up to 25.5W Power Output at 48V DC per port, with PoE+ On/Off Control
- IEEE 1588 Precision Time Protocol (PTP) and IEEE 802.1AS Precision Timing Synchronization compliant
- Up to 15.5KB Jumbo Frame, Link Aggregation
- Supports IEEE 802.3az Energy Efficient Ethernet (EEE) and DMA Coalescing Power Management Features
- Supports NBASE-T technology (2.5 and 5.0 GbE over CAT 5e/CAT 6)
- -25°C to 60°C Operating Temperature



Specifications

Ethernet	
Power Requirement	PCI Express x8
LAN Controller	Intel® Ethernet Controller X550-AT2
LAN Controller Qty	2
Data Rate	10Gbps/*5Gbps/*2.5Gbps/1Gbps/100Mbps (*Linux only)
Number of Port	4
Jumbo Frame	Up to 9.7KB supported
Link Aggregation (LAG)	Present
Connector	8-pin X-coded M12 Connector
PoE Standard	IEEE 802.3at compliant
Power Requirement	
Output	<ul style="list-style-type: none"> ▪ Up to 25.5W Power Output @48V DC per port ▪ 4 LED for PoE On/Off Mode
Power Connector	1 4-pin 12V Power Connector

Software Support	
OS	Windows 10, Windows 8.1, Windows 7, Linux
Mechanical	
Dimensions (W x D x H)	167.7mm x 111.2mm x 19.9mm (6.60" x 4.38" x 0.78")
Bracket	Full Height
Environment	
Operating Temperature	-25°C to 60°C with air flow (-40°F to 140°F)
Storage Temperature	-40°C to 85°C (-40°F to 185°F)
Humidity	5% to 95% Humidity, non-condensing
Relative Humidity	95% @60°C
EMC	CE, FCC



*PE-7004MX is slightly thicker than the standard PCIe card width (14.5mm) and may interfere with the slot on the right side. For mechanical assessment, please contact the Vecow team.

Order Information

PE-7004MX	Intel® X550-AT2 4-CH PCI Express Card with X-coded M12 10GigE PoE+
-----------	--